



TABLE OF CONTENTS

01. Front Page
02. Report Summary
03. 3D View - 1st Floor
04. Top View - 1st Floor

COMPANY INFORMATION

John Smith
John Smith Roofing
789-456-123
johnsmithroofing@gmail.com

PROJECT INFORMATION

Report Type
Residential

John Smith
Job Name: 123 Main St, Orlando, FL 54321
01/01/2023

Measurements by Skyview Estimator

Summary Report

Windows And Doors

Job Name: 123 Main St, Orlando, FL 54321

1. Windows Report

ID	Width	Height	Area	Types	Function	Count
01. First Floor						
FX3	3'-0"	3'-0"	9 SF	Fixed	Exterior	2
FX2	3'-0"	5'-0"	15 SF	Fixed	Exterior	5
DD2	5'-0"	3'-0"	15 SF	Double-Hung Double	Exterior	1
DS2	2'-0"	6'-8"	13 SF	Double-Hung Single	Exterior	2
DS3	3'-0"	5'-0"	15 SF	Double-Hung Single	Exterior	6

1. Doors Report

ID	Width	Height	Area	Types	Function	Count
01. First Floor						
SE3	1'-4"	6'-8"	9 SF	Single-Ext.	Exterior	1
SE2	2'-8"	6'-8"	18 SF	Single-Ext.	Exterior	1
SI3	2'-4"	6'-8"	16 SF	Single-Int.	Interior	2
SI2	2'-6"	6'-8"	17 SF	Single-Int.	Interior	8
DDE3	5'-0"	6'-8"	33 SF	Double-Ext.	Exterior	1
DDE2	6'-0"	6'-8"	40 SF	Double-Ext.	Exterior	2
DDC1	5'-0"	6'-8"	33 SF	Double-Closet	Interior	1
P2	2'-4"	6'-8"	16 SF	Pocket	Interior	1
P1	2'-6"	6'-8"	17 SF	Pocket	Interior	2

3D Views

Windows And Doors - First Floor

Job Name: 123 Main St, Orlando, FL 54321



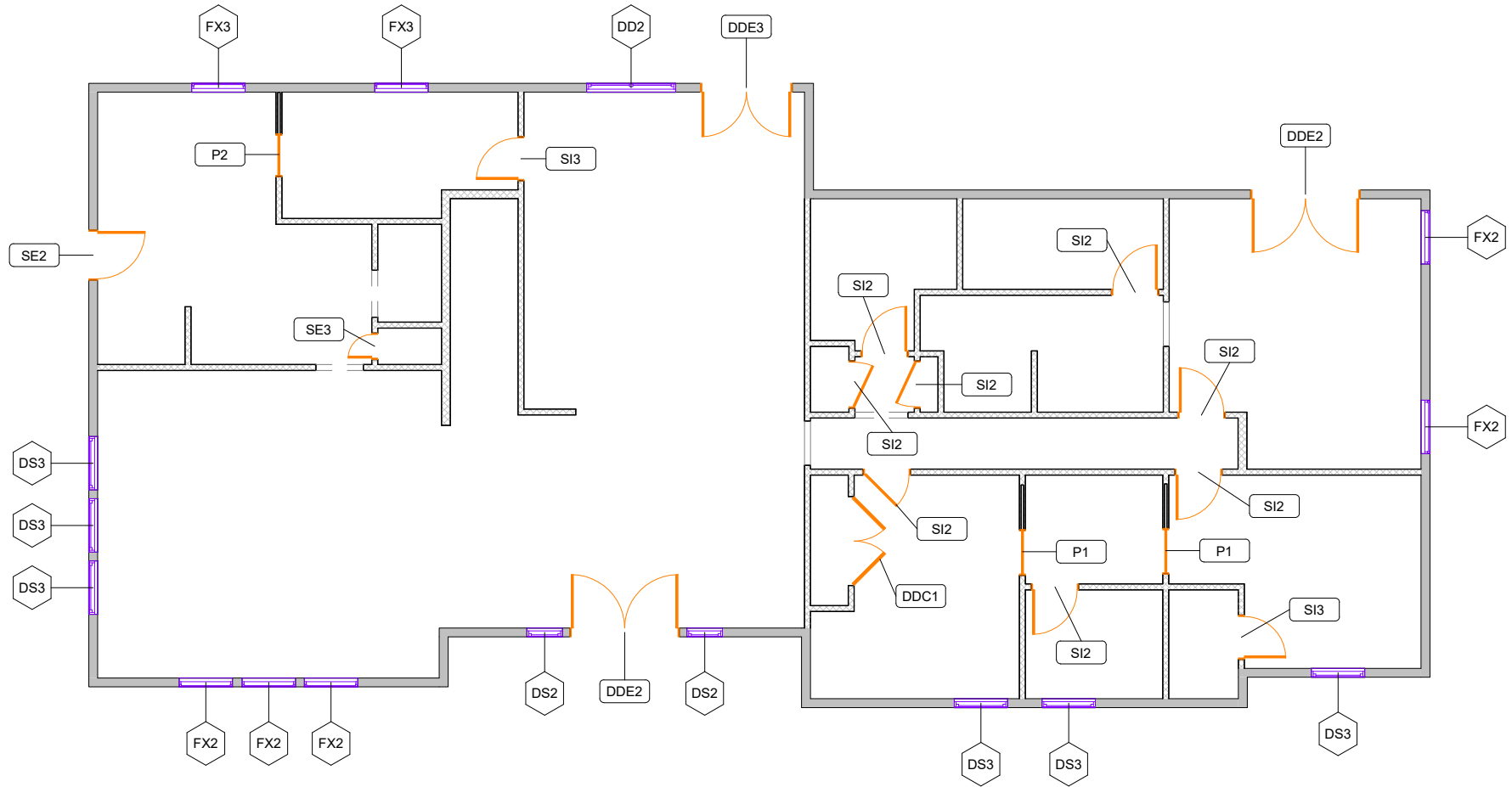
Orange Doors Purple Windows

FOR ESTIMATION ONLY: PLEASE VERIFY ALL DIMENTIONS PRIOR TO PURCHASE OF MATERIALS. ALL MEASUREMENTS AND CONTENT IN THIS REPORT IS SUBJECT TO APPLICABLE STATUTES AND REGULATION WITHOUT WARRANTY OF ANY KIND.

Top View

Windows And Doors - First Floor

Job Name: 123 Main St, Orlando, FL 54321



Doors Windows

FOR ESTIMATION ONLY: PLEASE VERIFY ALL DIMENTIONS PRIOR TO PURCHASE OF MATERIALS. ALL MEASUREMENTS AND CONTENT IN THIS REPORT IS SUBJECT TO APPLICABLE STATUTES AND REGULATION WITHOUT WARRANTY OF ANY KIND.