



## Report Type

Residential

123 Main St, Orlando, FL 54321

### COMPANY INFORMATION

John Smith  
John Smith Roofing  
789-456-0123  
johnsmithroofing@gmail.com

### TABLE OF CONTENTS

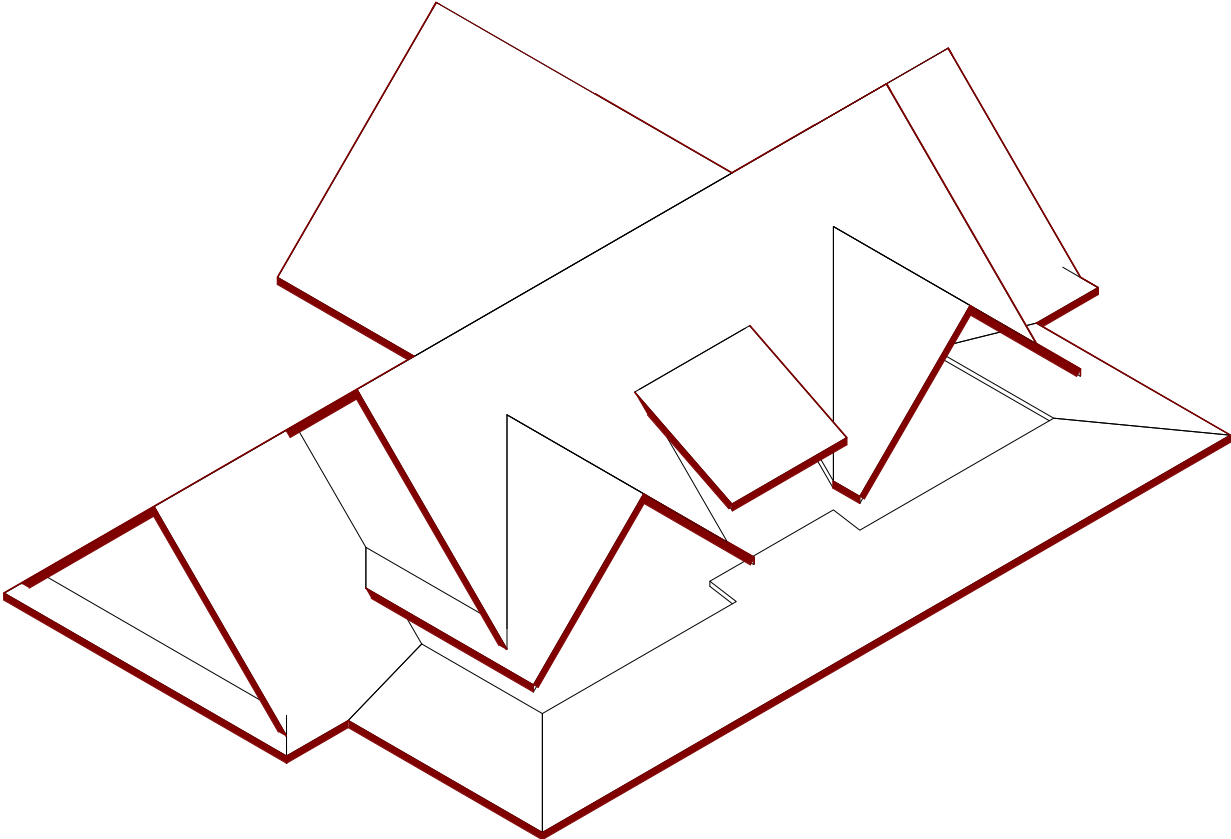
- Cover Page
- Fascias 3D View
- Fascias Top View
- Soffits 3D View
- Soffits Top View

Measurements by [Skyview Estimator](#)

# FASCIA 3D VIEW

Soffit and Fascia Report

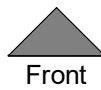
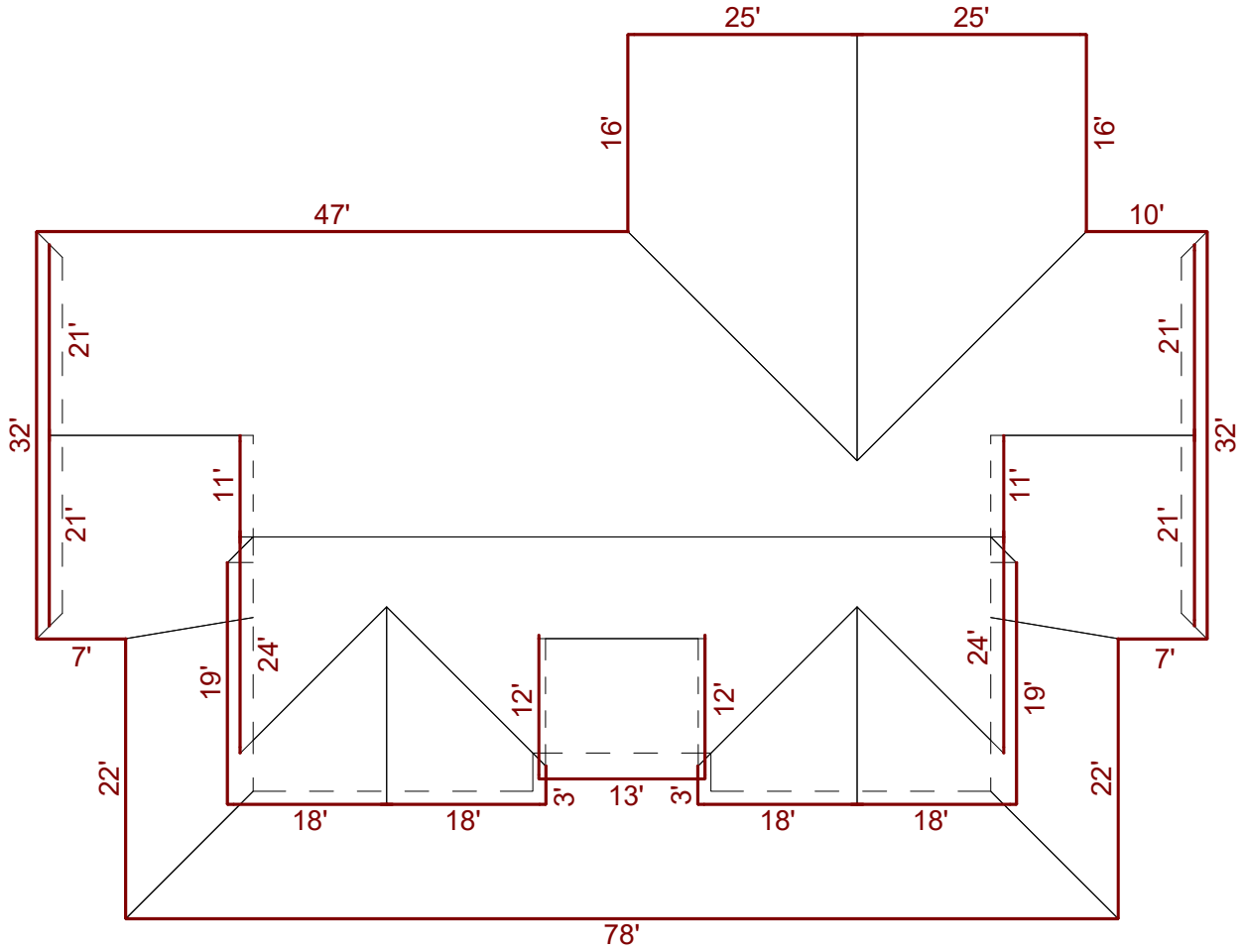
123 Main St, Orlando, FL 54321



# FASCIA DIAGRAM

Soffit and Fascia Report

123 Main St, Orlando, FL 54321



TOTAL LINEAL FOOTAGE **WITH** SLOPE FACTOR INCLUDED.

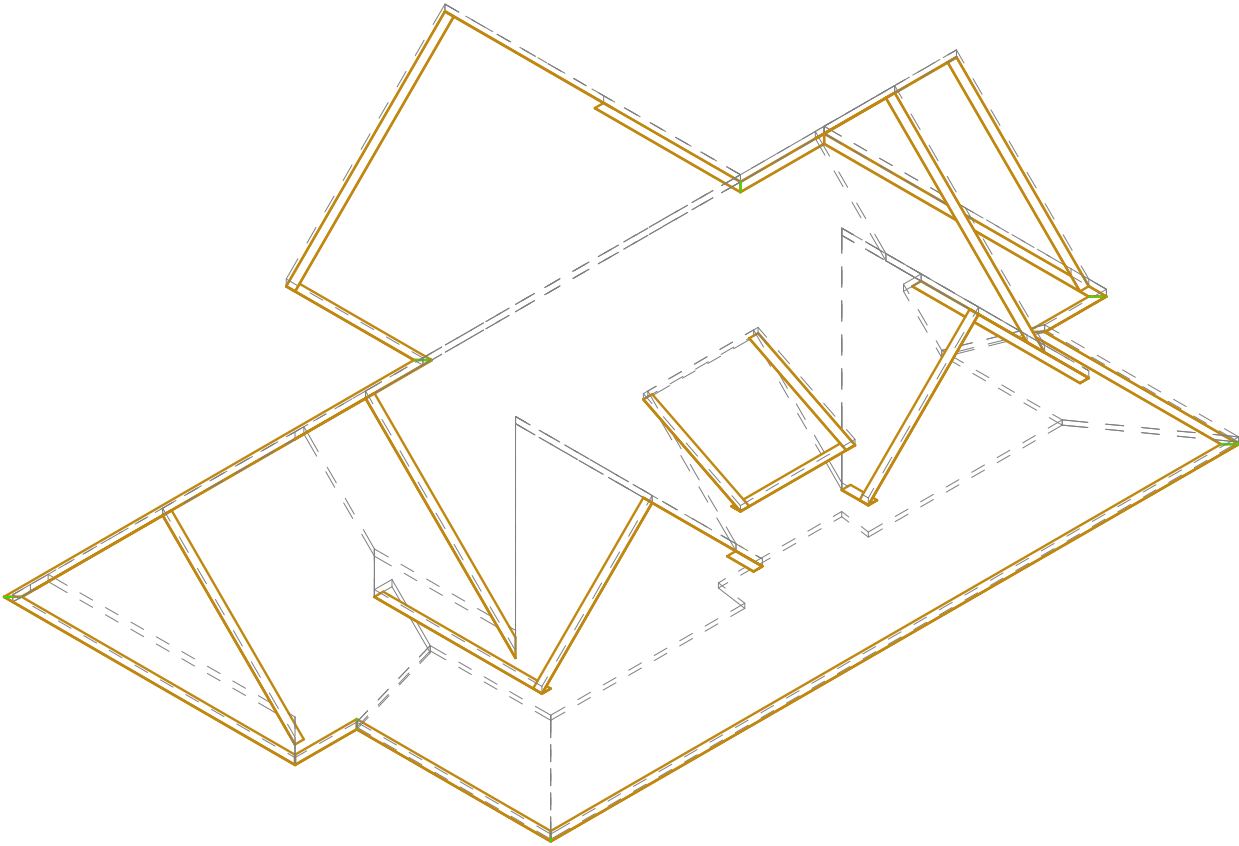
Fascia Report Summary		
<b>Total Length</b>	<b>Fascia Required</b>	
646 LF	Length: 743 LF	Pcs: 62

FOR ESTIMATION ONLY: VERIFY ALL DIMENSIONS PRIOR TO PURCHASE OF MATERIALS. NO GUARANTEES CAN BE MADE AS TO INSTALLATION AND LOCAL CODE REQUIREMENTS.

# SOFFIT 3D VIEW

Soffit and Fascia Report

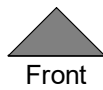
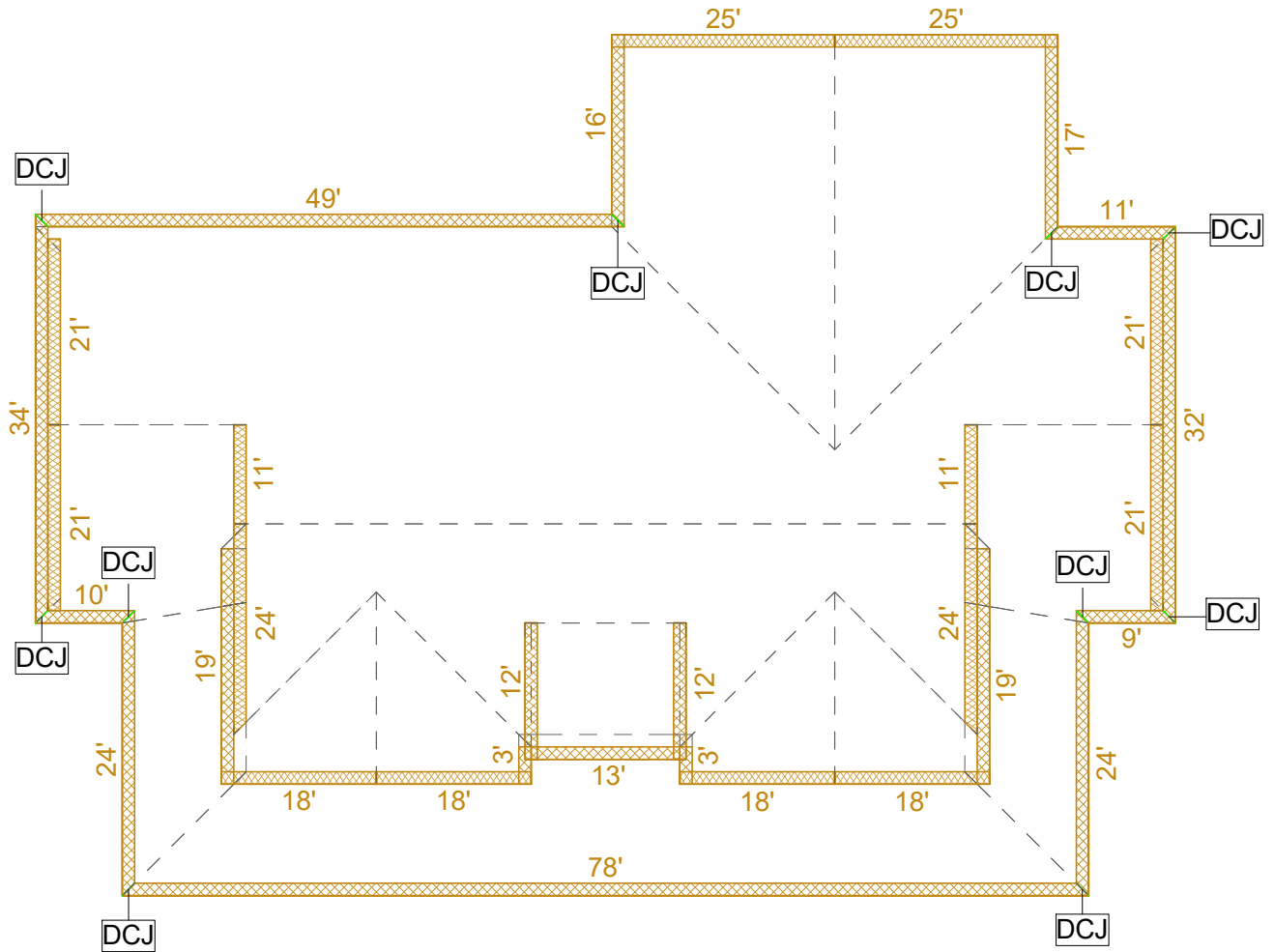
123 Main St, Orlando, FL 54321



# SOFFIT DIAGRAM

123 Main St, Orlando, FL 54321

## Soffit and Fascia Report



TOTAL LINEAL FOOTAGE **WITH** SLOPE FACTOR INCLUDED.

### Soffit Report Summary

Overhangs:				12" Panel:	16" Panel:	F/J Channel:	Roof Corners:	Double Channel:
				Length	Length	Total Length		Total Length
1'				760 LF	572 LF	760 LF	10	12 LF
				PCS	PCS	PCS		PCS
				65	49	65		1

FOR ESTIMATION ONLY: VERIFY ALL DIMENSIONS PRIOR TO PURCHASE OF MATERIALS. NO GUARANTEES CAN BE MADE AS TO INSTALLATION AND LOCAL CODE REQUIREMENTS.