



Report Type

Residential

123 Main St, Orlando, FL 54321

COMPANY INFORMATION

John Smith
John Smith Roofing
789-456-0123
johnsmithroofing@gmail.com

TABLE OF CONTENTS

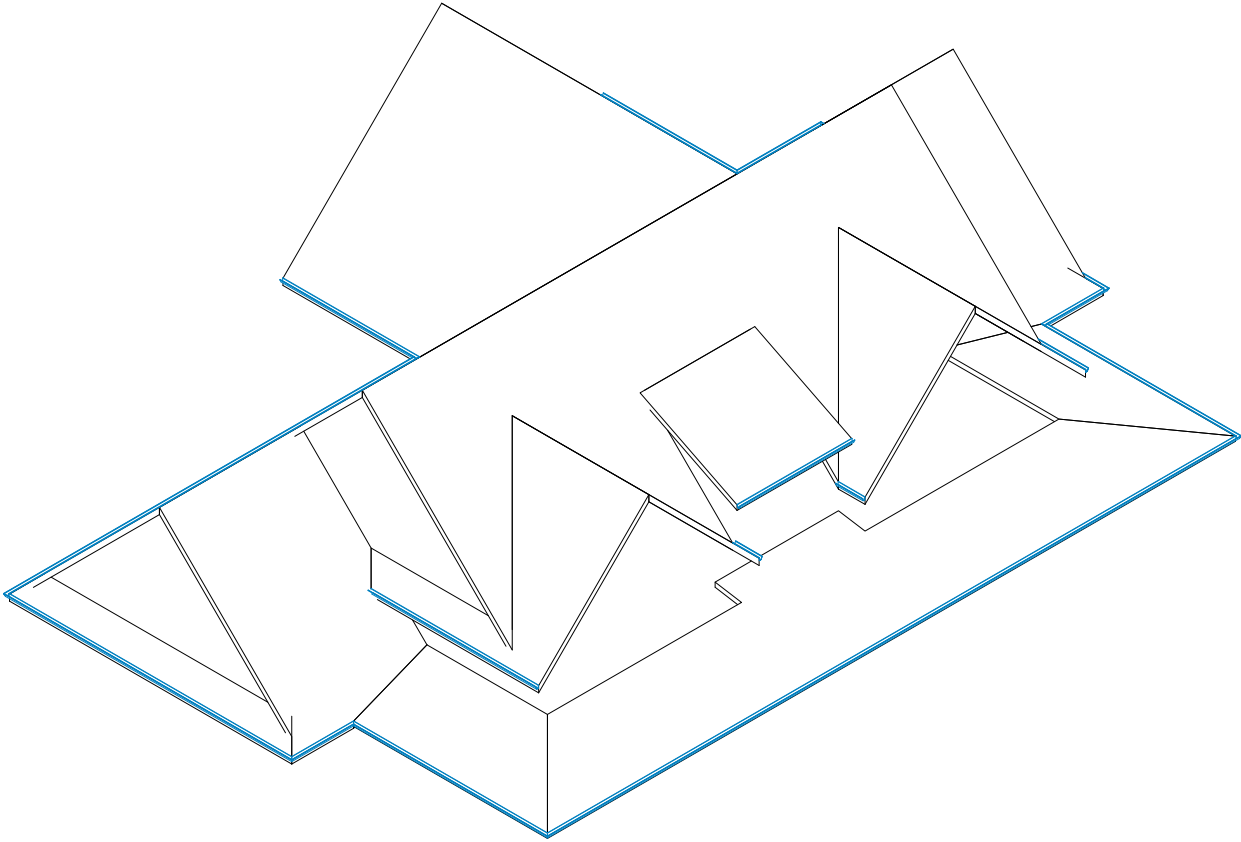
- Cover Page
- 3D View
- Order Summary
- Area by Pitch

Measurements by [Skyview Estimator](#)

3D VIEW

Gutters Report

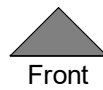
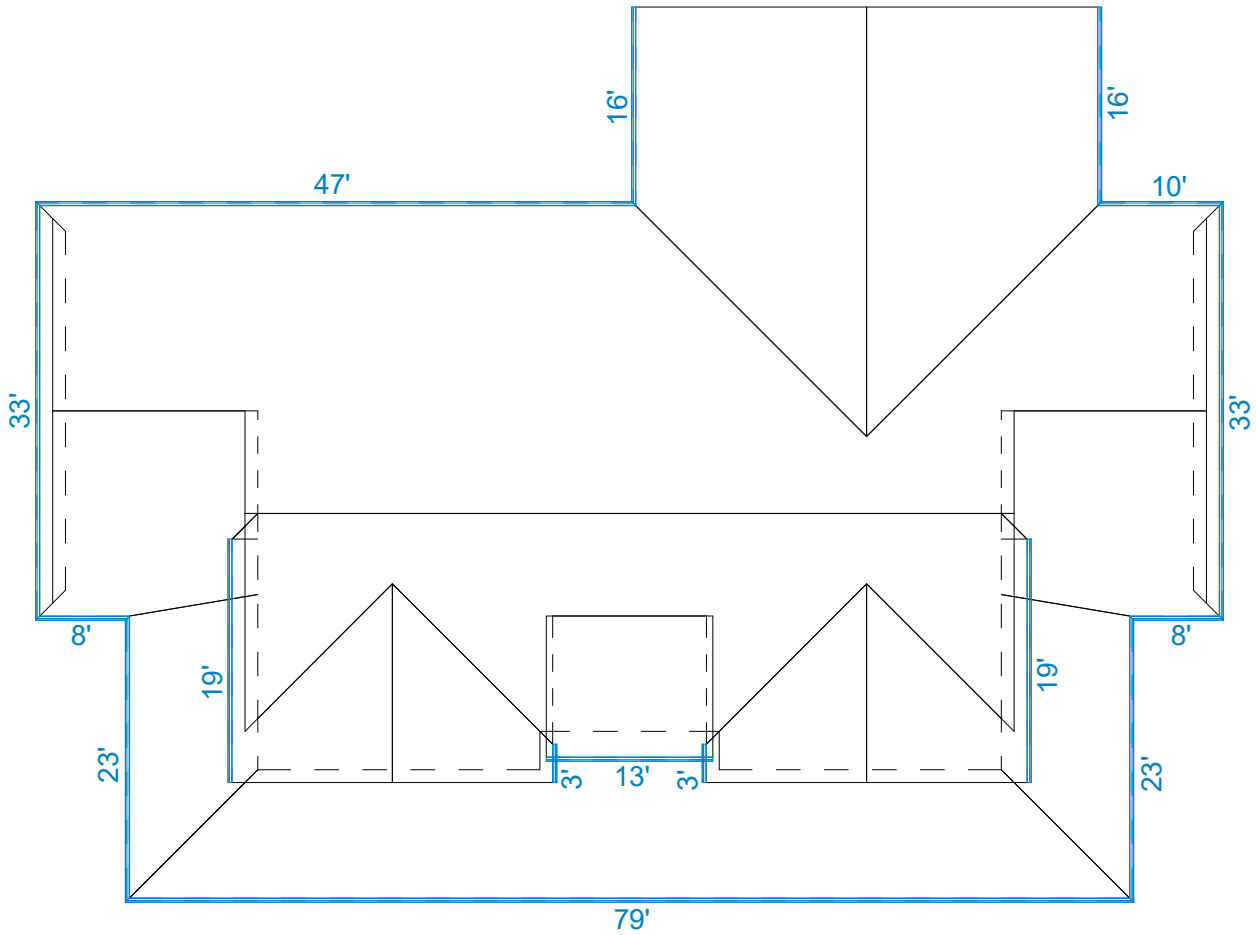
123 Main St, Orlando, FL 54321



ORDER SUMMARY

123 Main St, Orlando, FL 54321

Gutters Report



Gutter Length
353 LF

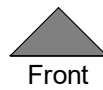
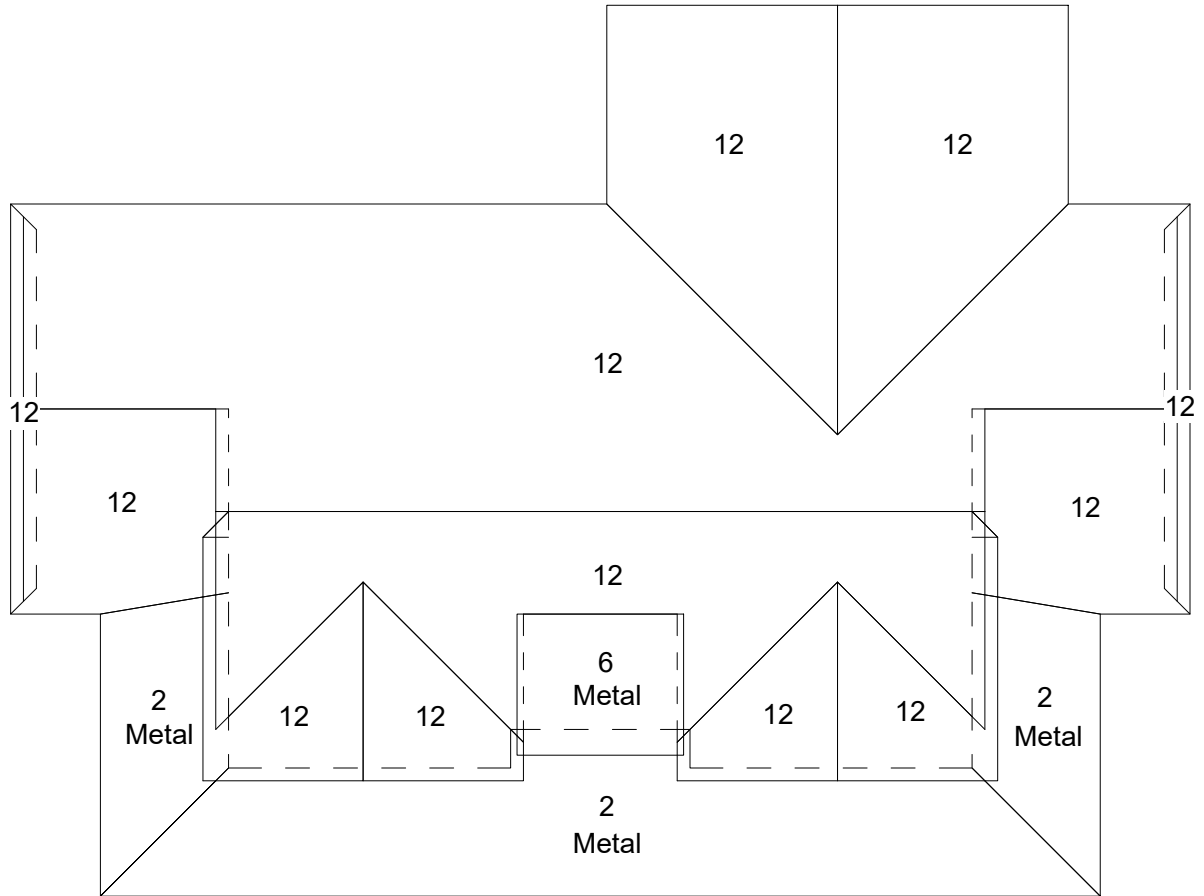
Roof Areas	(Square Footage)
Shingled Roof	6,035 SF
Metal Roof	1,254 SF

Estimated No. of Downspouts	
Determined by the surface square feet on the roof.	
2x3 Downspouts:	13
3x4 Downspouts:	7

AREA BY PITCH

123 Main St, Orlando, FL 54321

Gutters Report



Pitch Table					
Pitch	Area	Faces	Pitch	Area	Faces
2" / 12"	1,094 SF	3			
6" / 12"	160 SF	1			
12" / 12"	6,035 SF	12			